

NERCOMP 2017 Exhibit Display Rules

Booth Space Furnishings and Configuration

The basic booth space is a uniform-style inline (linear) exhibition booth 8' deep and 10' wide, with an 8'-high back wall and 3'-high side pipe and drape, one 6' table, two chairs, one wastebasket, and a 7" x 44" one-line identification sign. Exhibition displays must not obstruct the view of the adjacent booths. All Exhibitors should follow the booth configuration rules outlined below.

All exhibitors are responsible for ensuring that their booths meet all the NERCOMP 2017 Booth Exhibit Specifications.

- All exhibits must conform to and enhance the professional and educational atmosphere of the meeting.
- Maximum height for booths is 8' in the back half of the booth and 4' in the front half of the booth. **Note: free-standing banners taller than 4' must be displayed in the back half of the booth.**
- All displays must be entirely contained within the exhibit booth dimensions, including tables, chairs, signs, etc.
- Overflow from booths into the aisles is prohibited. Do not over-furnish or overstaff your booth.
- The use of helium balloons and/or lighter-than-air objects is prohibited.
- The exhibit hall is carpeted; carpet orders are not required.
- Storage behind back drape, pop-up structures, and under draped tables is prohibited. Storing a limited supply of literature or product appropriately within the booth area is okay if items do not impede access to utility services, create a safety problem, or look unsightly.
- Pop-up structures should be positioned to minimize visibility of unfinished backs.
- Masking drape, ordered by show management, will be required for all unfinished booths.
- Promotional materials including but not limited to flyers, circulars, and souvenirs, as well as models, mascots, and robots, must be distributed or remain within the confines of assigned booth space.

Staffing of Exhibits during Show Hours

Exhibition booths must be staffed during show hours, and no Exhibitor will be permitted to pack, remove, or otherwise dismantle its booth prior to the close of the show. EDUCAUSE reserves the right to exclude any Exhibitors who breach this provision from participation in future EDUCAUSE exhibitions.

Inline (Linear) Booth

Definition: Inline Booths are generally arranged in a straight line; they have at least one adjacent neighbor on either side of the booth, leaving only one side exposed to an aisle.

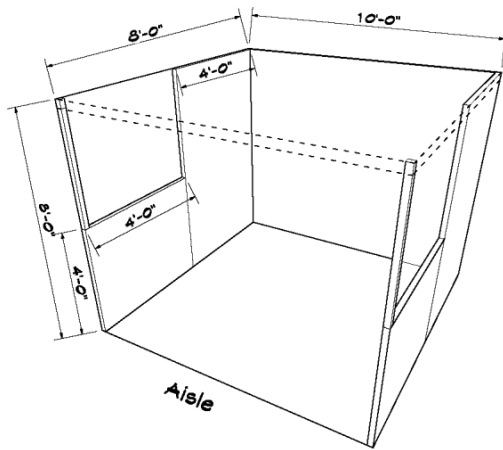
Inline booths at NERCOMP 2017 are 10' wide and 8' deep. No exhibit construction or signage may exceed 8' in overall height. **The maximum height of 8' is permitted on the back 4' section; a maximum height of 4' is permitted in the front 4' section.** Please reference the diagram of allowable configurations.

Note: When three or more Inline Booths are used as a single exhibit space, the 4' height limitation is applied only to that portion of exhibit space that is within 8' of an adjoining booth.

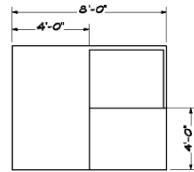
A Corner Booth is an Inline Booth exposed to aisles on two sides. The same rules for Inlines apply for Corner Booths.

Hanging Signage: Hanging ceiling signs are *not* permitted in the NERCOMP Exhibit Hall.

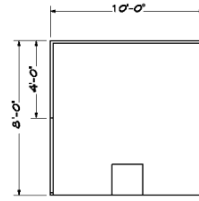
Allowable Configurations and Height Restrictions:



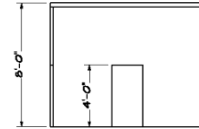
**8' X 10' INLINE BOOTH
with Canopy**



Left Side



Plan



Front